



Installation Guide

Grip-Rite® ProWrap™-SA

STORAGE:

For best results store Grip-Rite® ProWrap™-SA upright in its original packaging in a well ventilated area at room temperature between 40°F (4.4°C) and 120°F (49°C).

PRECAUTIONS:

Grip-Rite® ProWrap™-SA performs as a vapor-permeable water-resistive barrier and air barrier material. Follow all building codes applicable to your geographical region and structure type.

Best practices suggest storing rolled materials at or above 50°F (10°C) prior to cold weather installation.

Grip-Rite® ProWrap™-SA is not designed for indefinite outdoor exposure, and should be covered with the wall-cladding as soon as possible after membrane installation, but in no event later than 180-days after membrane installation.

The layout of Grip-Rite® ProWrap™-SA should be established in advance of installation to minimize waste and to ensure all penetrations are properly detailed for watertightness and air tightness.

SUBSTRATE PREPARATION:

Substrate options for Grip-Rite® ProWrap™-SA include, but are not limited to DensGlass® Sheathing, OSB, plywood, rigid vinyl, and anodized aluminum.

The substrate shall be dry to the touch and free of dust or other bond-breaker contaminants, voids, protrusions and damaged or unsupported areas.

Priming is not required.

Contact PrimeSource with any substrate questions or adhesion concerns: 800.676.7777 or warranty@primesourcebp.com.

WALL PENETRATIONS:

Penetrations shall be detailed to ensure a water-tight and air tight condition. Penetrations, including windows and doors, should be installed in proper sequence to ensure a water-shedding condition.

FASTENER PENETRATIONS:

It is the responsibility of the contractor to properly install and accept fastener installation for associated components that could interface with Grip-Rite® ProWrap™-SA. Install fasteners and components to produce a seal around the point of penetration by creating a continuous compression thereby maintaining continuity

of Grip-Rite® ProWrap™-SA. Fasteners and components unable to create a seal as described require supplemental sealant to fully encapsulate the hole created at the point of penetration.

GENERAL APPLICATION NOTES:

The layout of Grip-Rite® ProWrap™-SA should be established in advance of installation to minimize waste and to ensure all penetrations are properly detailed for water-tightness and air tightness.

Roll membrane with a 2-handed roller to ensure proper adhesion.

During application, the leading (upper) edge of Grip-Rite® ProWrap™-SA shall be protected to avoid liquid-water behind the membrane.

Grip-Rite® ProWrap™-SA can be repositioned for up to 30-minutes after application. Full-adhesion is dependent on job site conditions.

Limit coverage area of single floor; do not span the floor-line, and apply subsequent later course in a water-shedding manner.

Do not stretch the material.

LAPS/SEAMS:

Grip-Rite® ProWrap™-SA can be applied horizontally (Figure 1) or vertically (Figure 2). All material overlaps shall result in a water-shedding condition, with lower courses installed prior to, and lapped under the upper courses. The end-result shall not buck water at overlaps.

The side and end-laps shall be minimum 3-inches wide in the field of the wall (Zone 4).

If a vertical lap is required within 24-inches of an interior or exterior corner, the vertical lap shall be minimum 6-inches wide.

Inside and outside vertical corner overlaps shall be minimum 12-inches. The corner application shall be to the substrate first, with the overlap commencement thereafter on the 'next' wall plane.

Vertical laps from floor-to-floor shall be staggered (Figure 3), or separated by a horizontal strip of Grip-Rite® ProWrap™-SA (Figure 4).

SEQUENCING FOR BEST RESULTS:

1. Snap level chalk line.
2. Cut the material square to the factory edges in individual, manageable, desired lengths, and re-roll in the same direction, with the release liner facing outwards.
3. Starting at the lower corner, peel back 6 to 8-inches of release liner and fold the peeled-back portion of the release liner back onto itself, or cut it off with a razor knife, being careful not to puncture the membrane itself.
4. Align the exposed adhesive over the target-start-area and apply light hand pressure, starting in the middle and working outward along the width to smooth-out and remove air bubbles.
5. Unroll the remaining portion and check for true alignment. Reposition the starting point if necessary and re-check for true alignment.
6. Once aligned, apply heavy hand pressure to the target-start-area and re-roll the material with the release liner facing outward.

7. Slowly pull the release liner down or across the wall, allowing the roll to unwind, while lightly smoothing-out and removing air bubbles using heavy hand pressure and/or a wallpaper trowel, starting in the middle of the width and working outwards. Pull-back and reposition the material, as needed, to maintain true-alignment as it unwinds.
8. Roll the membrane with a 2-handed roller to a smooth condition, starting in the middle and working outwards to remove air bubbles and ensure full adhesion.
9. Proceed to the next course, ensuring minimum 3-inch to 6-inch overlap to the adjoining materials.

REPAIRS:

Repair holes, fish mouths, tears, and other damage to the membrane with a round patch of the membrane, extending past the damaged area by 6-inches (152-mm) in all directions.

Figure 1 View of Horizontal Application

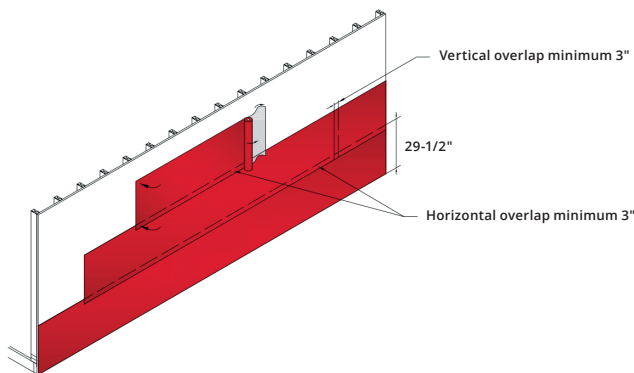


Figure 2 View of Vertical Application

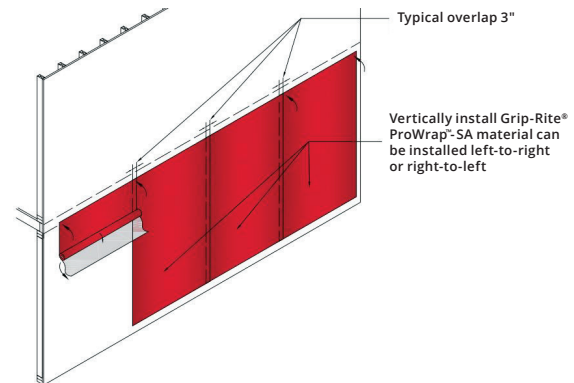


Figure 3 View of Staggered Vertical Laps from Floor-to-Floor

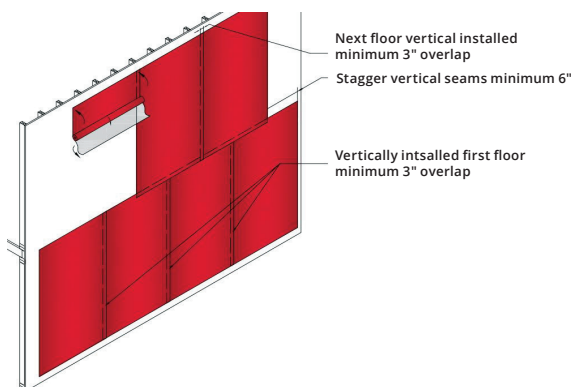
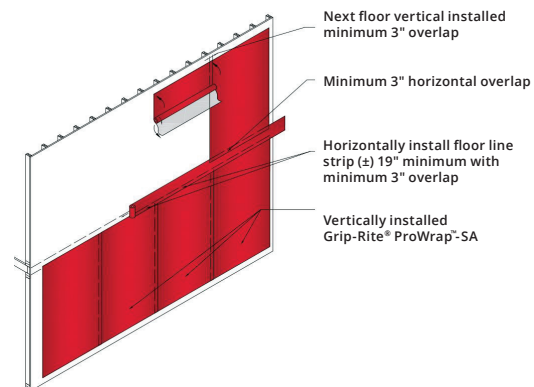


Figure 4 View of Non-Staggered Vertical Laps Separated by Horizontal Floor Line Strip



PRIME SOURCE
BUILDING PRODUCTS, INC.

A PrimeSource Brands Company  PRIME SOURCE BRANDS

Contact your PrimeSource® Building Products representative to order today.
800-676-7777 | primesourcebp.com

Grip-Rite® ProWrap®-SA is exclusively distributed by PrimeSource® Building Products, Inc. 1321 Greenway Drive, Irving, TX 75038-2504. Visit grip-rite.com or call 800-676-7777 for details, warranty information and limitations. Pricing and availability are subject to change without notice. © 2024 PrimeSource® Building Products, Inc. All Rights Reserved.

PSBGRPWSA0424