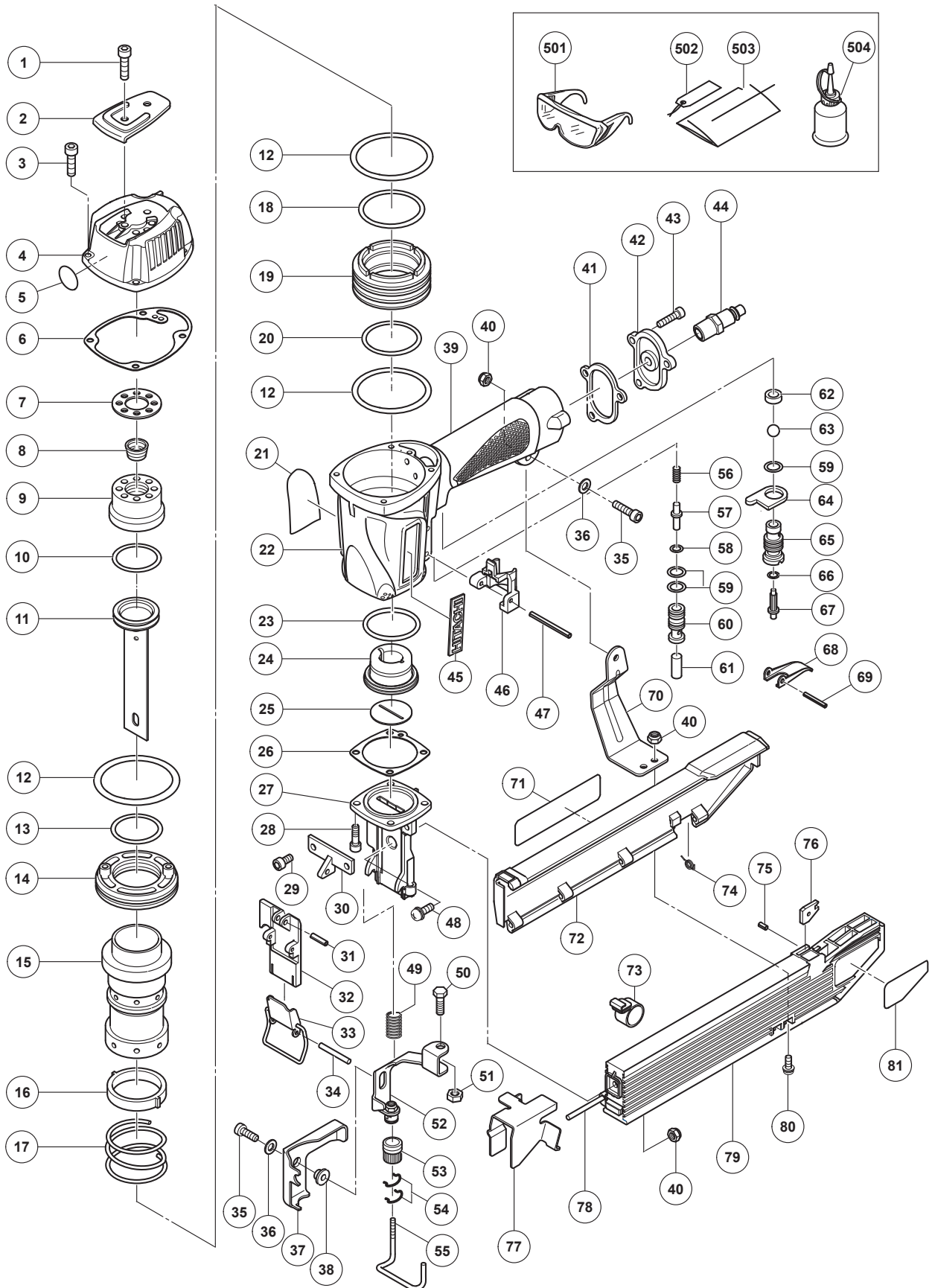


## PNEUMATIC TOOL PARTS LIST

■ STAPLER  
Model N 5024A2

2008·9·11  
(E1)



**PARTS**

N 5024A2

ITEM NO.	CODE NO.	DESCRIPTION	NO. USED	REMARKS
1	949-662	HEX. SOCKET HD. BOLT M5X25 (10 PCS.)	2	
2	876-179	TOP COVER	1	
3	949-757	HEX. SOCKET HD. BOLT M5X20 (10 PCS.)	4	
4	886-444	EXHAUST COVER	1	
* 5	883-513	WARNING LABEL (A)	1	EXCEPT FOR USA, CAN, AUS
6	883-892	GASKET (F)	1	
7	886-466	GASKET (C)	1	
8	878-417	EXHAUST VALVE	1	
9	877-129	HEAD CAP ASS'Y	1	
10	876-174	PISTON O-RING	1	
11	884-357	PISTON	1	
12	885-793	O-RING (I.D. 64.5)	3	
13	877-126	CYLINDER O-RING (D)	1	
14	876-168	CYLINDER PLATE	1	
15	877-486	CYLINDER	1	
16	876-167	CYLINDER RING	1	
17	876-172	CYLINDER SPRING	1	
18	877-123	CYLINDER O-RING (A)	1	
19	877-122	CYLINDER GUIDE	1	
20	877-124	CYLINDER O-RING (B)	1	
21		NAME PLATE	1	
22	886-443	BODY ASS'Y	1	INCLUD. 39
23	877-125	CYLINDER O-RING (C)	1	
24	884-350	PISTON BUMPER	1	
25	884-351	BUMPER SHEET	1	
26	876-673	GASKET (A)	1	
27	886-726	NOSE ASS'Y	1	INCLUD. 55
28	878-181	NYLOCK HEX. SOCKET HD. BOLT M5X16	4	
29	949-819	HEX. SOCKET HD. BOLT M5X10 (10 PCS.)	2	
30	884-360	GUIDE PLATE	1	
31	949-497	ROLL PIN D4X16 (10 PCS.)	1	
32	884-361	BLADE GUIDE	1	
33	884-362	LOCK LEVER	1	
34	949-866	ROLL PIN D3X30 (10 PCS.)	1	
35	949-658	HEX. SOCKET HD. BOLT M5X18 (10 PCS.)	2	
36	876-205	WASHER	2	
37	884-364	GUARD	1	
38	884-366	SLEEVE	1	
39		GRIP RUBBER	1	SUPPLIED WITH ITEM NO. 601, 602
40	877-371	NYLON NUT M5	4	
41	886-719	GASKET (D)	1	
42	885-795	CAP	1	
43	949-821	HEX. SOCKET HD. BOLT M5X16 (10 PCS.)	3	
44		AIR PLUG NPT 1/4	1	
45	886-342	HITACHI PLATE	1	
46	884-356	VALVE GUARD	1	
47	884-025	ROLL PIN D3X45	1	
48	308-386	MACHINE SCREW (W/SP. WASHER) M5X16 (BLACK)	1	
49	877-894	HOLDER SPRING	1	
50	875-650	SAFETY BOLT	1	

**PARTS**

N 5024A2

ITEM NO.	CODE NO.	DESCRIPTION	NO USED	REMARKS	
51	949-555	NUT M5 (10 PCS.)	1		
52	884-353	PUSHING LEVER	1		
53	885-796	ADJUSTER	1		
54	881-765	RATCHET SPRING	2		
55	886-447	PUSHING LEVER (A)	1		
56	886-725	PLUNGER SPRING	1		
57	878-542	PLUNGER (A)	1		
58	877-705	PLUNGER O-RING	1		
59	875-638	O-RING (S-12)	3		
60	877-880	VALVE BUSHING	1		
61	877-882	PLUNGER (B)	1		
62	878-734	VALVE PACKING	1		
63	875-645	URETHANE BALL (C) D7.14	1		
64	875-644	VALVE PLATE	1		
65	877-335	TRIGGER VALVE BUSHING	1		
66	874-820	PLUNGER O-RING	1		
67	878-121	TRIGGER PLUNGER	1		
68	876-203	TRIGGER	1		
69	949-866	ROLL PIN D3X30 (10 PCS.)	1		
70	884-363	HANDLE ARM	1		
*	71	886-720	WARNING LABEL	1	EXCEPT FOR USA, CAN, AUS
72	883-718	MAGAZINE COVER	1		
73	881-047	RIBBON SPRING	1		
74	881-043	COVER SPRING	1		
75	949-749	ROLL PIN D3X8 (10 PCS.)	1		
76	881-039	MAGAZINE PIECE	1		
77	884-359	STAPLE FEEDER	1		
78	883-719	HINGE PIN	1		
79	884-358	MAGAZINE ASS'Y	1	INCLUD. 75, 76	
80	678-653	MACHINE SCREW (W/WASHERS) M5X14 (BLACK)	2		
81		LABEL	1		

**STANDARD ACCESSORIES**

N 5024A2

ITEM NO.	CODE NO.	DESCRIPTION	NO. USED	REMARKS	
501	875-769	SAFETY GLASSES	1		
502	882-413	CAUTION TAG	1		
* 503	886-721	LEAFLET	1	FOR USA, CAN	
* 504	877-153	PNEUMATIC TOOL LUBRICANT (30CC)	1	EXCEPT FOR USA, CAN, AUS	

**OPTIONAL ACCESSORIES**

ITEM NO.	CODE NO.	DESCRIPTION	NO. USED	REMARKS	
601	881-768	GRIP TAPE (A)	1		
602	880-407	TAPE	1		
603	876-762	SEQUENTIAL TRIP MECHANISM KIT	1		
604	877-153	PNEUMATIC TOOL LUBRICANT (30CC)	1		
605	874-042	PNEUMATIC TOOL LUBRICANT (120CC)	1		
606	876-212	PNEUMATIC TOOL LUBRICANT (1L)	1		
607	317-918	GREASE (ATTOLUB NO. 2) 500G	1		