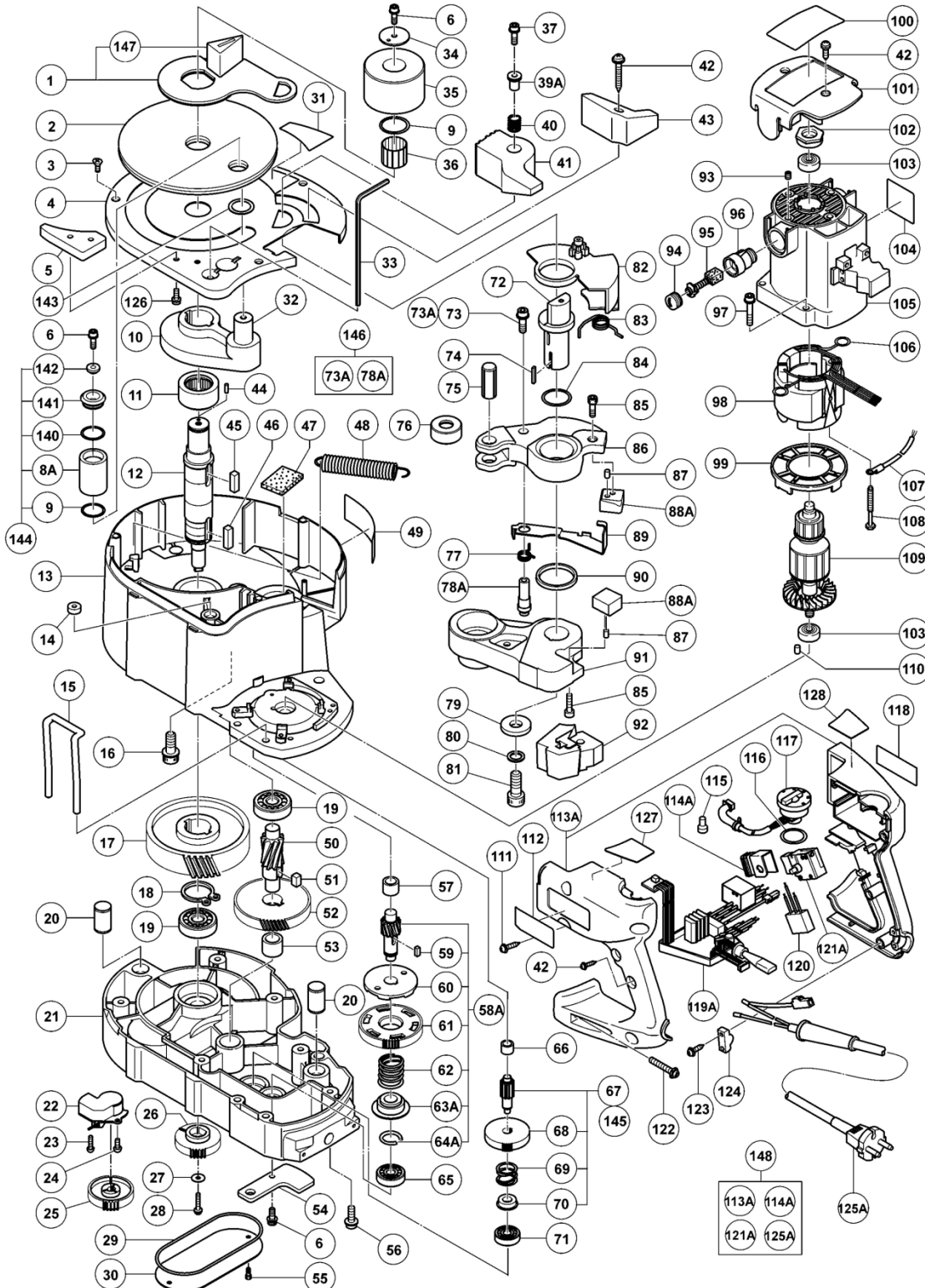
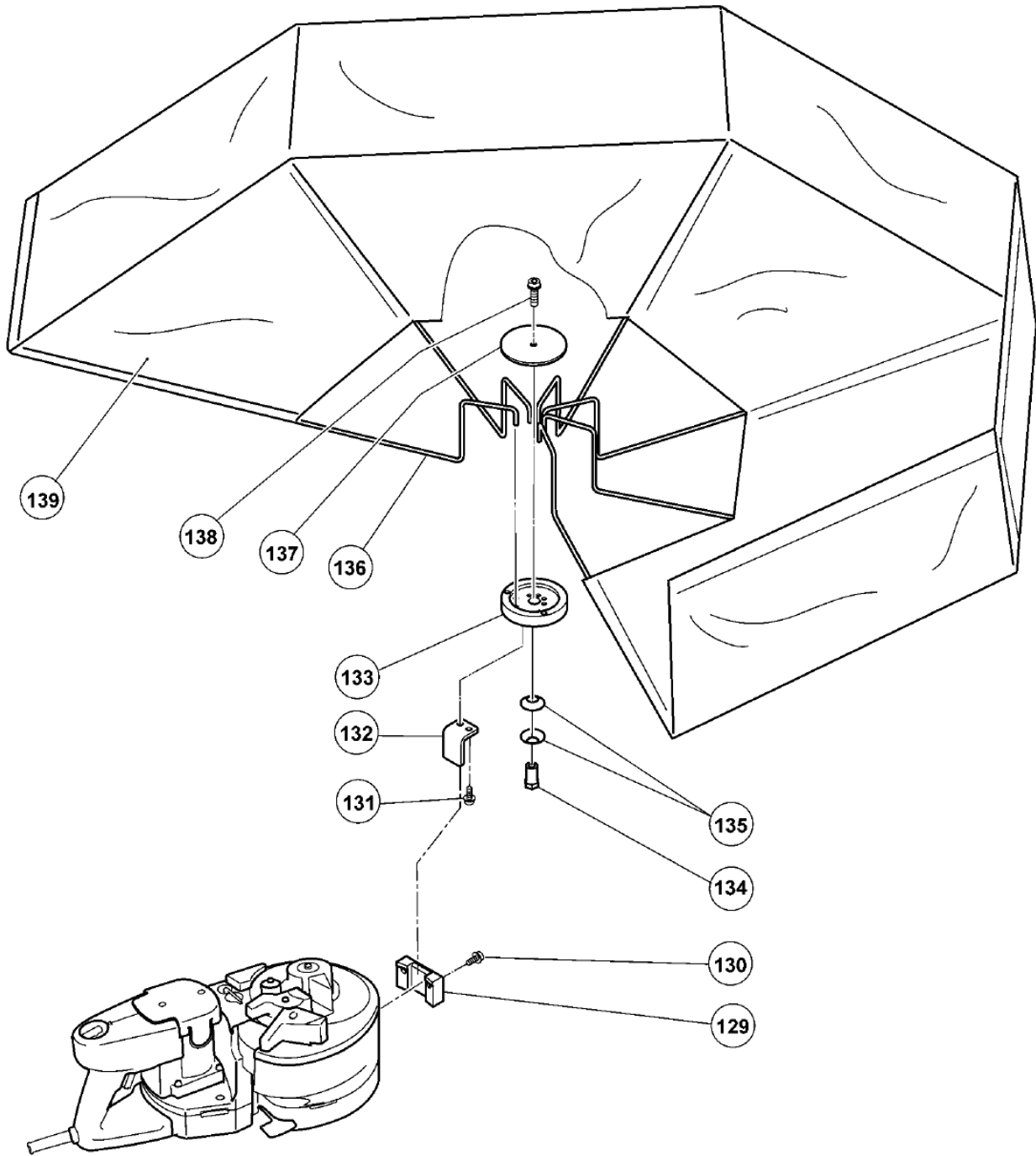


ELECTRIC TOOL PARTS LIST

■ PORTABLE REBAR CUTTER/BENDER
Model VB16Y

2015 • 02 • 25
(E1c)





PARTS

VB16Y

ITEM NO.	CODE NO.	DESCRIPTION	NO. USED	REMARKS
1	319692	CENTER PLATE ASS'Y	1	INCLUD.147
2	319691	TURN TABLE	1	
3	320264	NYLOCK FLAT HD. SCREW M4X12	3	
4	319690	CAM COVER	1	
5	320427	PLATE (A)	1	
6	313082	NYLOCK BOLT (W/FLANGE) M5X16	3	
8A	322269	ROLLER (B)	1	SINCE 11.2002
9	944486	O-RING (1AP-20)	2	
10	319678	CAM	1	
11	320420	SLEEVE (B)	1	
12	319679	CAM SHAFT	1	
13	319675	INNER COVER ASS'Y	1	INCLUD.19.47.57.66
*13	320898	INNER COVER ASS'Y	1	INCLUD.19.47.57.66 FOR USA.CAN
14	307607	WRENCH HOLDER	1	
15	316225	STAND	1	
16	319676	HEX. SOCKET HD. BOLT (W/FLANGE) M8X25	2	
17	319681	FINAL GEAR	1	
18	962553	RETAINING RING FOR D28 SHAFT	1	
19	6302VV	BALL BEARING 6302VVCMP2L	2	
20		PIN (B)	2	
21	319660	GEAR COVER ASS'Y	1	INCLUD.19.20.53.65.71
22	316213	SENSOR HOLDER ASS'Y	1	INCLUD.23.25
*22	320899	SENSOR HOLDER (A) ASS'Y	1	INCLUD.23.25 FOR USA.CAN
23	316214	TAPPING SCREW D3X12	1	
24	949215	MACHINE SCREW M4X8 (10 PCS.)	2	
25	316212	SENSOR GEAR	1	
26	316212	SENSOR GEAR	1	
27	962569	WASHER (B)	1	
28	987203	SEAL LOCK SCREW (W/SP. WASHER) M4X12	1	
29	319685	O-RING	1	
30	319686	SENSOR COVER	1	
31	319704	WARNING LABEL(A)	1	
32	319680	SHAFT (B)	1	
33	319699	HEX. BAR WRENCH 4MM (LENGTH 45)	1	
34	319694	WASHER (A)	1	
35	319714	CENTER ROLLER (D62) SET	1	INCLUD.6.37.41 EXCEPT USA.CAN
*35	321447	CENTER ROLLER (D62) SET	1	INCLUD.6.37.41 FOR USA.CAN
36	319693	NEEDLE BEARING (D22)	1	
37	313077	NYLOCK BOLT (W/FLANGE) M5X25	1	
39A	320425	SLEEVE (G)	1	
40	320426	SPRING (G)	1	
41		GUIDE (D62)	1	
42	301653	TAPPING SCREW (W/FLANGE) D4X20(BLACK)	7	
43	319697	LEVER (B)	1	
44	949749	ROLL PIN D3X8 (10 PCS.)	1	
45	967124	FEATHER KEY 7X7X22	2	
46	948081	FEATHER KEY 7X7X25	2	
47	316186	SUPPORT (B)	1	
48	319677	RETURN SPRING	1	
49	320422	WARNING LABEL (C)	1	
50	319682	THIRD PINION	1	
51	998468	FEATHER KEY 7X7X12	1	
52	319683	THIRD GEAR	1	
53	930076	METAL (B)	1	
54	319661	GUIDE (B)	1	
55	316228	HEX. SOCKET HD. BOLT (W/FLANGE) M4X10	2	
56	880474	NYLOCK BOLT (W/FLANGE) M6X16	7	
57	954789	METAL (B)	1	
58A	320263	SECOND PINION SET	1	INCLUD.59-64A
59		FEATHER KEY 4X4X10	1	

Parts

VB16Y

ITEM NO.	CODE NO.	DESCRIPTION	NO. USED	REMARKS
60		CLUTCH PLATE	1	
61		SECOND GEAR	1	
62		SPRING (E)	1	
63A		SLEEVE (E)	1	
64A		RING (A)	1	
65	6000VV	BALL BEARING 6000VVCMP2L	1	
66	316185	METAL	1	
*67	322048	FIRST PINION SET	1	INCLUD.68-70
68		FIRST GEAR	1	
69		CLUTCH SPRING (F)	1	
70		SLEEVE (F)	1	
71	608VVM	BALL BEARING 608VVC2PS2L	1	
72	319668	SHAFT (A)	1	TILL 4.2002
*72	320901	SHAFT (A)	1	FOR USA.CAN (SINCE 5.2002 FOR EUROPE)
73	939540	RETAINING RING FOR D10 SHAFT (10 PCS.)	1	TILL 12.2003
73A	882974	NYLOCK BOLT (W/FLANGE) M6X12	1	SINCE 1.2004
74	971750	FEATHER KEY 3X3X20	2	TILL 4.2002
*74	320902	FEATHER KEY 5X5X18	1	FOR USA.CAN (SINCE 5.2002 FOR EUROPE)
75	319664	NEEDLE	1	
76	319663	ROLLER (C)	1	
77	319666	SPRING (D)	1	
78A	322655	PIN FOR SPRING	1	SINCE 1.2004
79	319673	SPACER	1	
80	320424	BELLEVILLE SPRING (FOR M12)	1	
81	319674	SEAL LOCK HEX. SOCKET HD. BOLT M12X20	1	
82	319688	COVER	1	
83	319687	SPRING (F)	1	
84	872470	O-RING (S-26)	1	
85	878181	NYLOCK HEX. SOCKET HD. BOLT M5X16	2	
*86	320903	BRACKET (A)	1	
87	980258	NEEDLE (C)	2	
88A	319706	CUTTER SET (1PAIR)	2	
89	319665	CUTTER GUARD	1	
90	319669	V-RING	1	
91	320265	BRACKET (B)	1	TILL 4.2002
*91	320904	BRACKET (B)	1	FOR USA.CAN (SINCE 5.2002 FOR EUROPE)
92	319689	GRIP RUBBER	1	
93	938477	HEX. SOCKET SET SCREW M5X8	2	
94	935829	BRUSH CAP	2	
95	999043	CARBON BRUSH (1 PAIR)	2	
96	971001	BRUSH HOLDER	2	
97	313585	HEX. SOCKET HD. BOLT (W/FLANGE) M5X30	4	
98	340500C	STATOR ASS'Y 110V	1	INCLUD.106
98	340500D	STATOR ASS'Y 120V	1	INCLUD.106, FOR USA.CAN
98	340500E	STATOR ASS'Y 230V	1	INCLUD.106
98	340500F	STATOR ASS'Y 230V-240V	1	INCLUD.106 FOR NZL.AUS
99	980931	FAN GUIDE	1	
100	001073	WARNING LABEL (D)	1	FOR USA.CAN
101	316227	TAIL COVER	1	
102	310111	BEARING BUSHING (B)	1	
103	318362	BALL BEARING (A)	2	
*103	608VVM	BALL BEARING 608VVC2PS2L	2	FOR USA.CAN
104	001077	HITACHI LABEL (C)	1	FOR USA.CAN
105	310146	HOUSING ASS'Y (GREEN)	1	INCLUD.93.96
106	930703	BRUSH TERMINAL	1	
107	990861	INTERNAL WIRE	1	EXCEPT FOR USA.CAN
108	953121	HEX. HD. TAPPING SCREW D5X50	2	
109	360552C	ARMATURE 110V	1	
*109	360552U	ARMATURE ASS'Y 120V	1	INCLUD.103, FOR USA.CAN
*109	360552E	ARMATURE 230V	1	

