

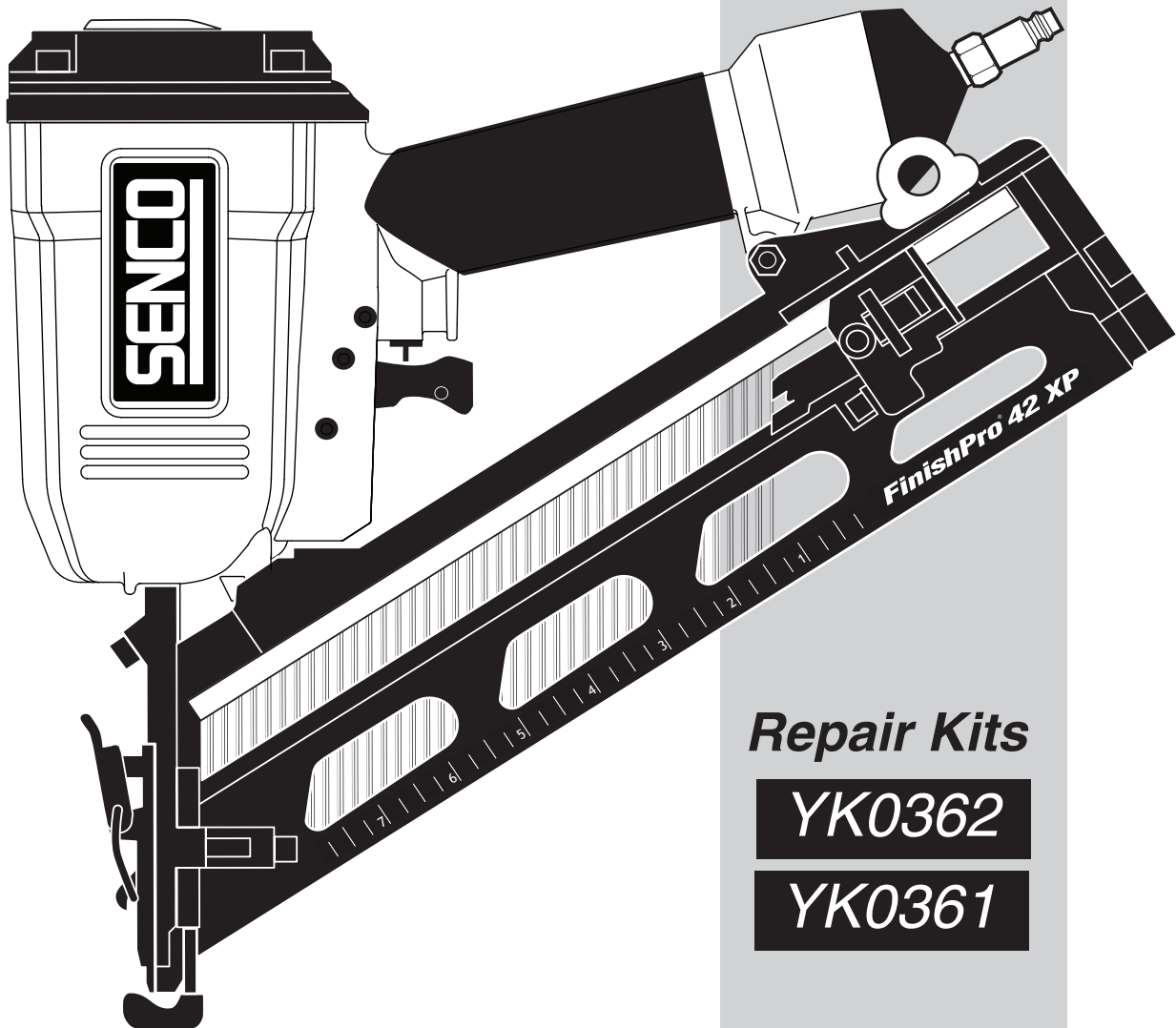
# SENCO®

# FinishPro® 42 XP

## 15 ga. Finish Nailer



## Parts Reference Guide



### Repair Kits

**YK0362**

**YK0361**

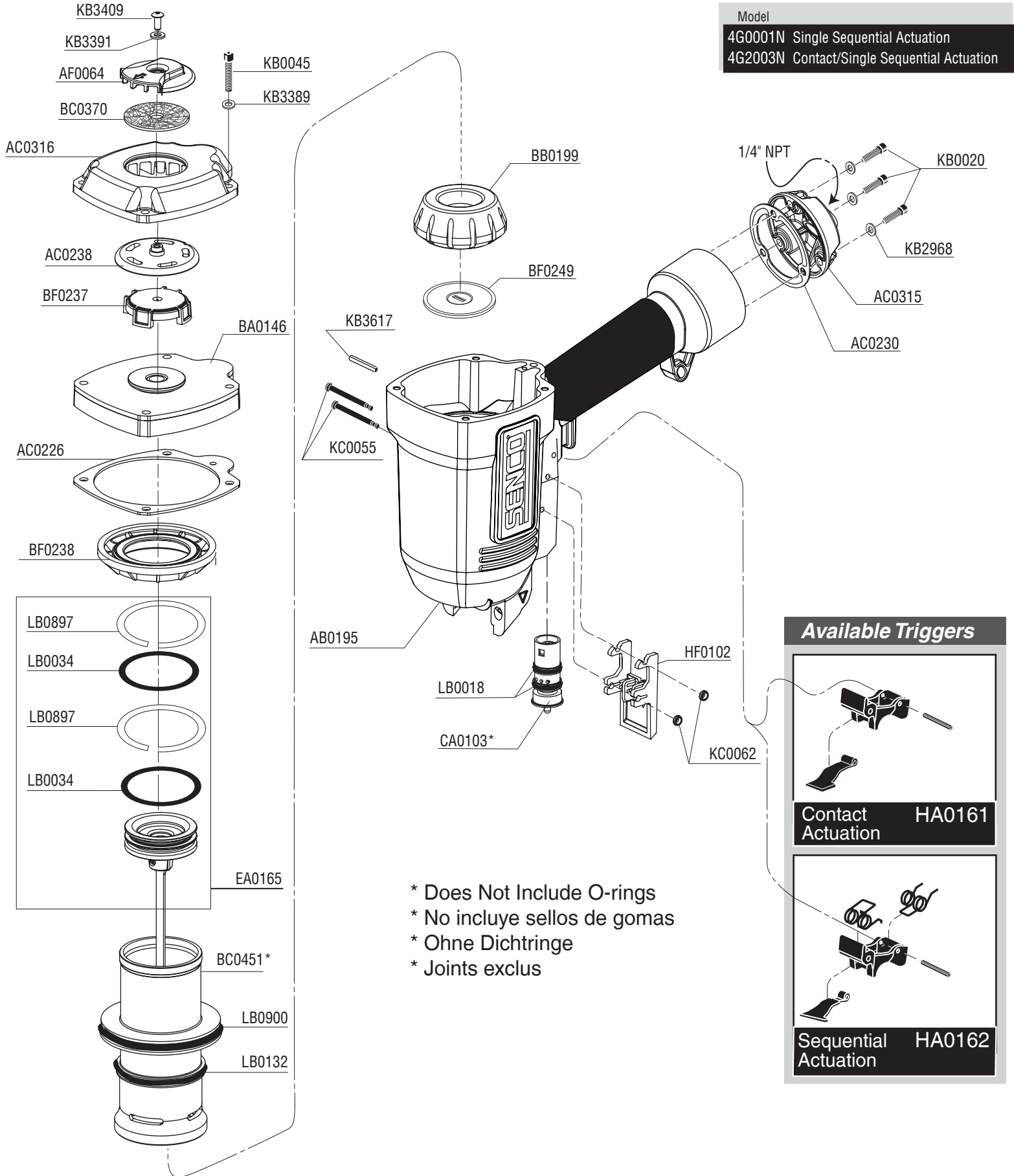
\* Schematic drawings inside

Senco Brands Inc.  
4270 Ivy Pointe Blvd.  
Cincinnati, Ohio 45245  
Visit Our Website: [www.senco.com](http://www.senco.com)  
EMEA Website: [www.verpa-senco.com](http://www.verpa-senco.com)

Questions? Comments? call SENCO's toll-free Action-line:  
1-800-543-4596 (North and South America Only)  
or e-mail: [toolprof@senco.com](mailto:toolprof@senco.com)

# FinishPro® 42XP

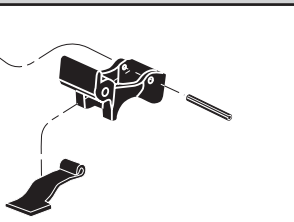
**SENCO®**



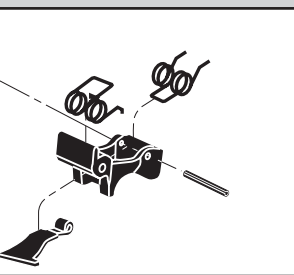
Model	
4G0001N	Single Sequential Actuation
4G2003N	Contact/Single Sequential Actuation

\* Does Not Include O-rings  
 \* No incluye sellos de gomas  
 \* Ohne Dichtringe  
 \* Joints exclus

**Available Triggers**



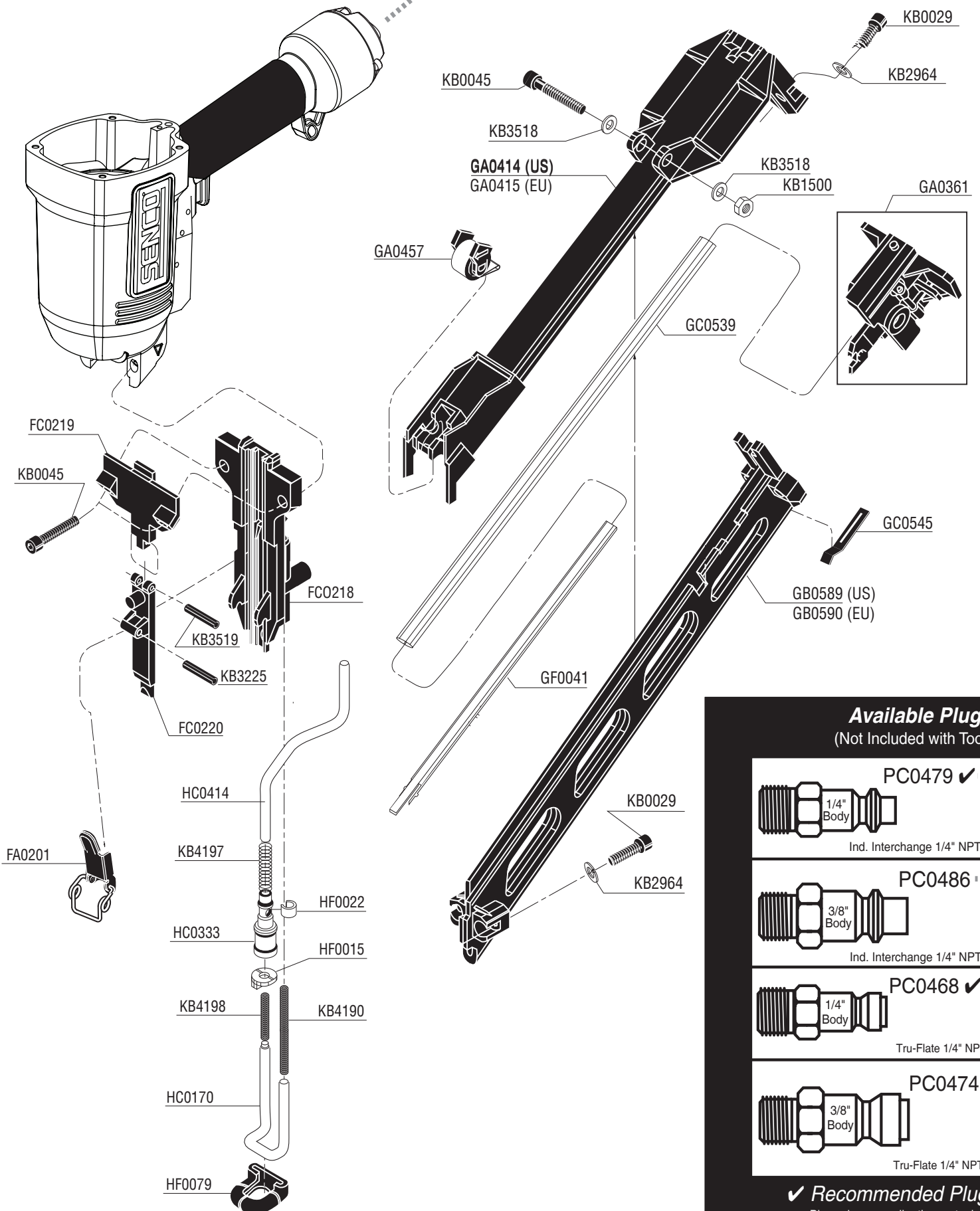
**Contact Actuation** HA0161



**Sequential Actuation** HA0162





# FinishPro® 42XP

**SENCO®**



NFG04G Revised August 23, 2011 (Replaces 5/28/10) © 2011 by Senco Brands, Inc. Cincinnati, Ohio 45245 - U.S.A.

## Available Plugs (Not Included with Tool)

	<b>PC0479</b> ✓
1/4" Body	Ind. Interchange 1/4" NPT
	<b>PC0486</b>
3/8" Body	Ind. Interchange 1/4" NPT
	<b>PC0468</b> ✓
1/4" Body	Tru-Flate 1/4" NPT
	<b>PC0474</b>
3/8" Body	Tru-Flate 1/4" NPT

✓ **Recommended Plugs**  
Plugs shown smaller than actual size

# FinishPro® 42XP 15 ga. Finish Nailer

REPLACEMENT PARTS LIST • LISTA DE PARTES DE REPUESTO • ERSATSTEILE-LISTE • LISTE DE PIÈCES DE RECHANGE

PART NO.	DESCRIPTION	DESCRIPCIÓN	BESCHREIBUNG	DÉSIGNATION
AB0195	MAIN BODY ASSEMBLY	ASAMBLE DE CARCASA	GEHÄUSE-ZUSAMMENBAU	CORPS D'ASSEMBLÉE
AC0226	SEAL	SELLO	DICHTUNG	JOINT
AC0230	SEAL	SELLO	DICHTUNG	JOINT
AC0238	PLATE	PLACA	PLATTE	PLAQUE
AC0315	END CAP	TAPA	KAPPE	BOUCHON
AC0316	CAP	TAPA	KAPPE	BOUCHON
AF0064	DEFLECTOR	DEFLECTOR	ABWEISER	DÉFLECTEUR
BA0146	VALVE ASSEMBLY	ASAMBLE DE VALVULA	VENTIL-ZUSAMMENBAU	VALVE D'ASSEMBLÉE
BB0199	STOP	TOPE	PUFFER	ARRÊT
BC0370	MUFFLER	SILENCIADOR	DÄMPFER	SILENCIEUX
BC0451	CYLINDER	CILINDRO	ZYLINDER	CYLINDRE
BF0237	SEAL	SELLO	DICHTUNG	JOINT
BF0238	RETAINER	JUNTA TÓRICA	SICHERUNGSRING	RETENUE
BF0249	SEAL	SELLO	DICHTUNG	JOINT
CA0103	VALVE ASSEMBLY	ASAMBLE DE VALVULA	VENTIL-ZUSAMMENBAU	VALVE D'ASSEMBLÉE
EA0165	PISTON ASSEMBLY	ASAMBLE DE PISTON	KOLBEN-ZUSAMMENBAU	PISTON D'ASSEMBLÉE
FA0201	LATCH ASY	ASAMBLE DE UÑETA	VERSCHLUSS-ZUSAMMENBAU	DOIGT DE RETENUE D'ASSEMBLÉE
FC0067	FINGER GRIP	AGARRADERO	FINGERGRIFF	GAINÉ EN CAOUTCHOUC
FC0218	GUIDE BODY	PLACA DE NARIZ	NAGELFÜHRUNG	FRONT
FC0219	PLATE	PLACA	PLATTE	PLAQUE
FC0220	DOOR	PUERTA	ABDECKSCHIEBER	PORTE
GA0361	FEEDER SHOE ASY	ALIMENTADOR	NAGELSCHIEBER	POUSSOIR
GA0414	SHROUD (US)	PROTECTOR	ABDECKUNG	CACHE
GA0415	SHROUD (EU)	PROTECTOR	ABDECKUNG	CACHE
GA0457	FEEDER SPRING ASY	RESORTE	ZUFÜHRFEDER	RESSORT
GB0589	RAIL (US)	CARRIL	SCHIENE	RAIL
GB0590	RAIL (EU)	CARRIL	SCHIENE	RAIL
GC0539	RAIL	CARRIL	SCHIENE	RAIL
GC0545	RETAINER	JUNTA TÓRICA	SICHERUNGSRING	RETENUE
GF0041	RAIL	CARRIL	SCHIENE	RAIL
HA0161	TRIGGER ASY (CONTACT ACT.)	ASAMBLE DE GATILLO	AUSLÖSER-ZUSAMMENBAU	GACHETTE D'ASSEMBLÉE
HA0162	TRIGGER ASY (SEQUENTIAL ACT.)	ASAMBLE DE GATILLO	AUSLÖSER-ZUSAMMENBAU	GACHETTE D'ASSEMBLÉE
HC0170	SAFETY ELEMENT (LOWER)	SEGURO DE INFERIOR	UNTERSICHERHEITSVORRICHTUNG	SÉCURITÉ EN DESSOUS
HC0333	ADAPTOR	ADAPTADOR	ADAPTER	ADAPTATEUR
HC0414	SAFETY ELEMENT (UPPER)	SEGURO DE SUPERIOR	OBERSICHERHEITSVORRICHTUNG	SÉCURITÉ EN DESSUS
HF0015	SPACER	SEPARADOR	DISTANZSTÜCK	ENTRETOISE
HF0022	RETAINER	JUNTA TÓRICA	SICHERUNGSRING	RETENUE
HF0079	CUSHION	AMORTIGUADOR	SCHUTZ	COUSSIN
HF0102	COVER	CUBIERTA	ABDECKUNG	COUVERCLE
KB0020	SCREW	TORNILLO	SCHRAUBE	VIS
KB0029	SCREW	TORNILLO	SCHRAUBE	VIS
KB0045	SCREW	TORNILLO	SCHRAUBE	VIS
KB1500	NUT	TUERCA	MUTTER	ÉCROU
KB2964	WASHER	ARANDELA	SCHEIBE	RONDELLE
KB2968	WASHER	ARANDELA	SCHEIBE	RONDELLE
KB3225	PIN	PASADOR	STIFT	GOUPILLE
KB3389	WASHER	ARANDELA	SCHEIBE	RONDELLE
KB3391	WASHER	ARANDELA	SCHEIBE	RONDELLE
KB3409	SCREW	TORNILLO	SCHRAUBE	VIS
KB3518	WASHER	ARANDELA	SCHEIBE	RONDELLE
KB3519	PIN	PASADOR	STIFT	GOUPILLE
KB3617	PIN	PASADOR	STIFT	GOUPILLE
KB4190	SPRING	MUELLE	FEDER	RESSORT
KB4197	SPRING	MUELLE	FEDER	RESSORT
KB4198	SPRING	MUELLE	FEDER	RESSORT
KC0055	PIN	PASADOR	STIFT	GOUPILLE
KC0062	RETAINER	JUNTA TÓRICA	SICHERUNGSRING	RETENUE
LB0018	SEAL	SELLO	DICHTUNG	JOINT
LB0034	SEAL	SELLO	DICHTUNG	JOINT
LB0132	SEAL	SELLO	DICHTUNG	JOINT
LB0897	SEAL	SELLO	DICHTUNG	JOINT
LB0900	SEAL	SELLO	DICHTUNG	JOINT