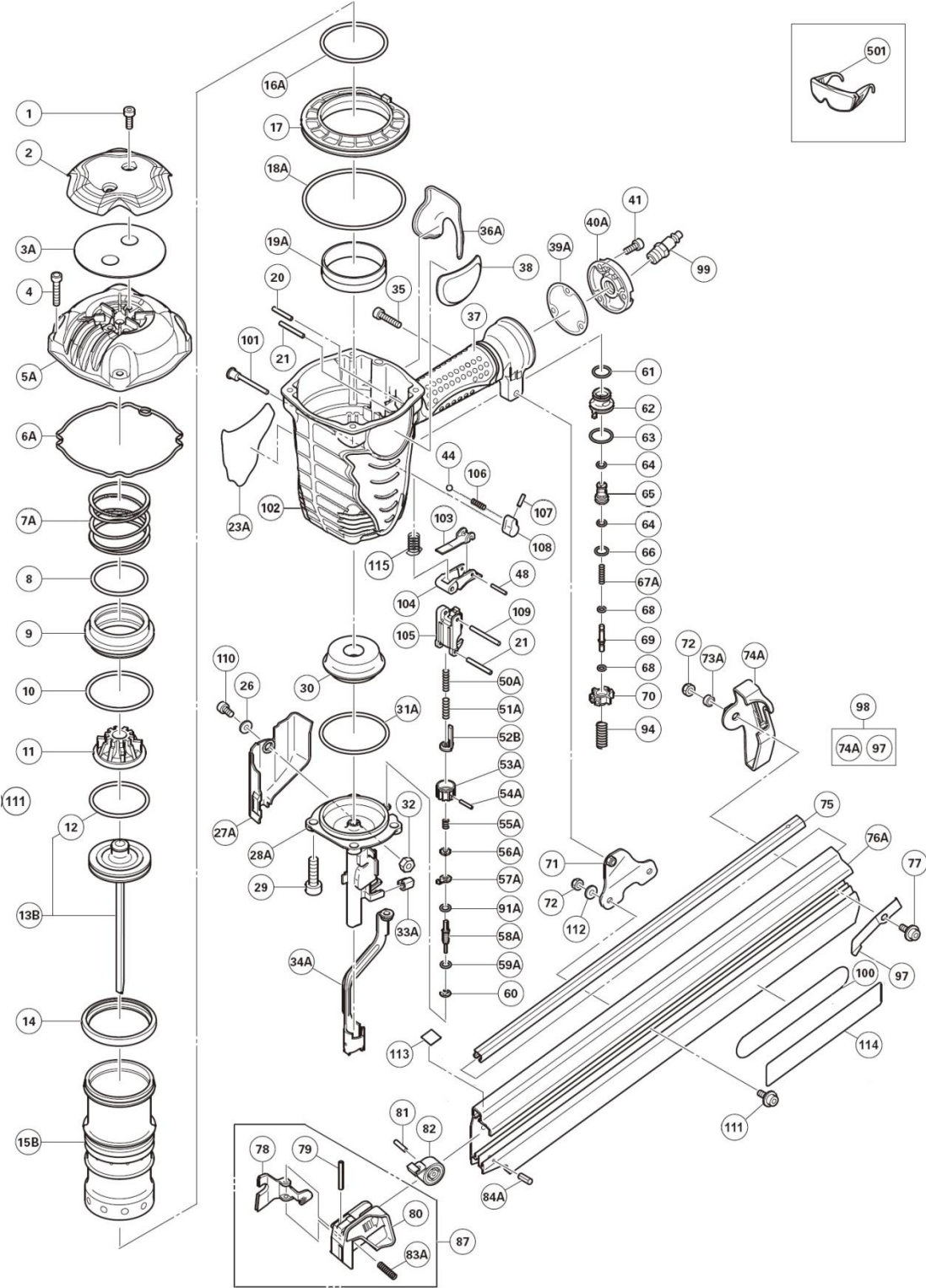


PNEUMATIC TOOL PARTS LIST

■ STRIP NAILER
Model NR 90AE(S1)

2015 • 12 • 29
(E1)

NR90AE(S1)



PARTS

NR90AE(S1)

ITEM NO.	CODE NO.	DESCRIPTION	NO. USED	REMARKS
1	888792	HEX. SOCKET HD. BOLT M6X12	2	
2A	888790	HEAD GUARD	1	
3B	888794	SHEET	1	
4A	888793	HEX. SOCKET HD. BOLT M6X30	4	
5B	888789	EXHAUST COVER	1	
6A	886455	GASKET (A)	1	
7A	886456	HEAD VALVE SPRING	1	
8	884947	O-RING (I.D 49.4)	1	
9	884946	HEAD VALVE	1	
10	884948	O-RING (I.D 59.4)	1	
11	884950	EXHAUST VALVE RUBBER	1	
12	884958	PISTON O-RING	1	
13C	888403	PISTON ASS'Y	1	INCLUD.12
14	884945	VALVE RUBBER	1	
15B	886457	CYLINDER	1	
16A	886480	O-RING (I.D 59.6)	1	
17	884944	CYLINDER PLATE	1	
18A	886481	O-RING (I.D 94.6)	1	
19A	886483	CYLINDER RING	1	
20	949539	ROLL PIN D3X25 (10 PCS.)	1	
21	884975	ROLL PIN D3X32	2	
23		NAME PLATE	1	
26	876205	WASHER	1	
27A	886874	PUSH LEVER COVER (A)	1	
28A	887676	NOSE	1	
29	306437	NYLOCK HEX. SOCKET HD. BOLT M8X30	4	
30	884959	PISTON BUMPER	1	
31A	886482	O-RING (I.D 60)	1	
32	877371	NYLON NUT M5	1	
33A	886458	NOSE RUBBER	2	
34A	886865	PUSHING LEVER (A)	1	
35	949670	HEX. SOCKET HD. BOLT M6X22 (10 PCS.)	1	
36A	886260	GRIP RUBBER (B)	1	
37		GRIP RUBBER (A)	1	SUPPLIED WITH ITEM NO.102
38A		HITACHI LABEL	1	
39A	884342	GASKET (B)	1	
40A	881949	CAP	1	
41	949821	HEX. SOCKET HD. BOLT M5X16 (10 PCS.)	3	
44	982454	SPRING (C)	1	
48	881951	ROLL PIN D2.5X16	1	
50A	886861	PUSH LEVER SPRING (B)	1	
51A	886860	PUSH LEVER SPRING (A)	1	
52B	887664	PUSHING LEVER (D)	1	
53A	886872	ADJUSTER	1	
54A	886873	ROLL PIN D2X16	1	
55A	886870	ADJUSTER SPRING	1	
56A	886869	ADJUSTER PLATE (C)	1	
57A	886868	ADJUSTER PLATE (A)	1	
58A	886866	PUSH LEVER (B)	1	
59A	872822	O-RING (S-5)	1	
60	872971	RETAINING RING (E-TYPE) FOR D3 SHAFT	1	
61	877763	FEED PISTON O-RING (I.D. 14)	1	
62	884963	VALVE BUSHING (B)	1	
63	873570	O-RING (P-18)	1	
64	676531	O-RING (P-7)	2	
65	884964	VALVE PISTON	1	
66	872654	O-RING (1AP-10)	1	
67A	887178	PLUNGER SPRING	1	
68	878888	O-RING (I.D. 1.8)	2	
69	884965	PLUNGER	1	

