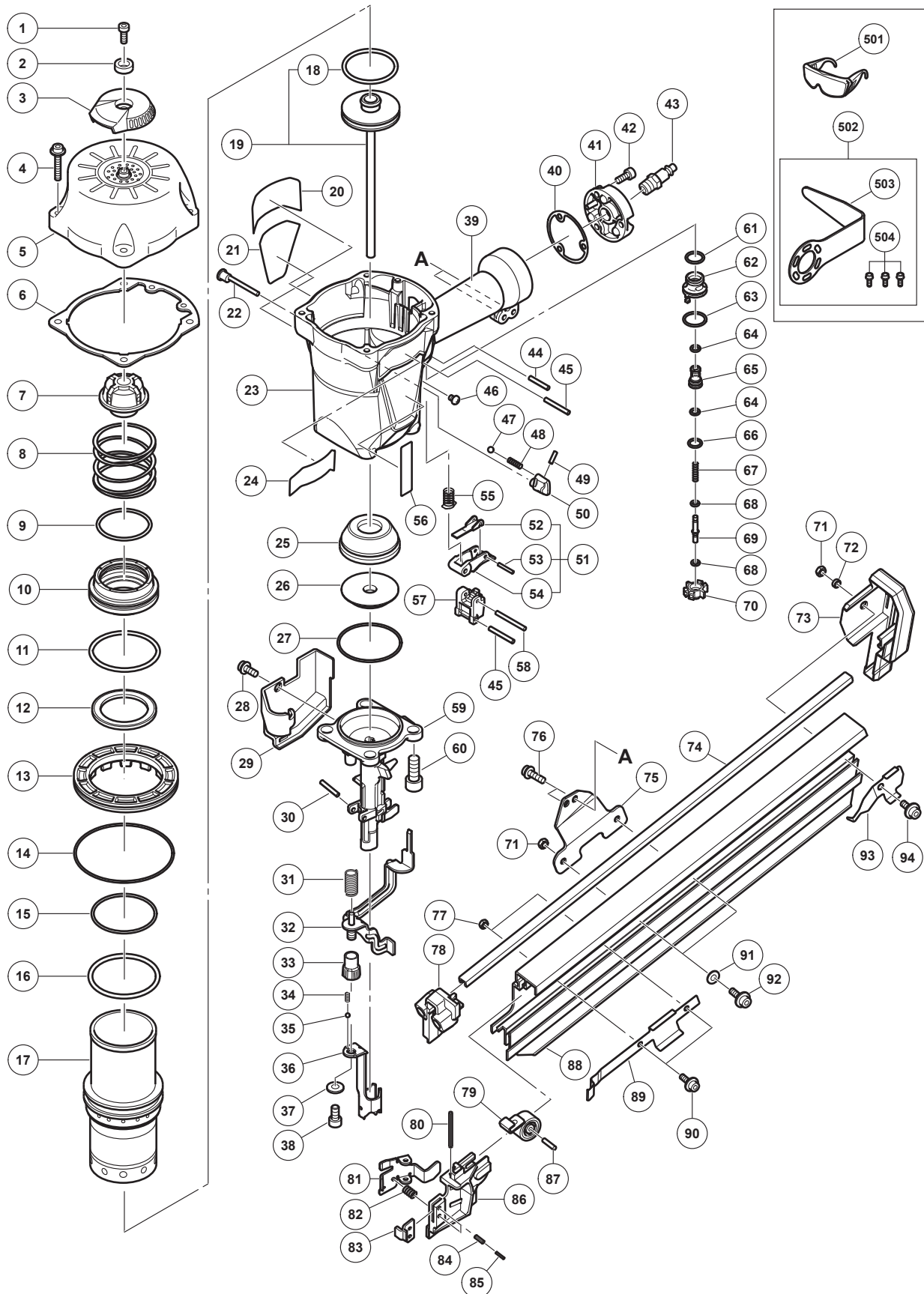


PNEUMATIC TOOL PARTS LIST

STRIP NAILER
Model NR 90AC5

2017-12-28
(E1)



PARTS

NR 90AC5

ITEM NO.	CODE NO.	DESCRIPTION	NO. USED	REMARKS
1	888797	HEX. SOCKET HD. BOLT M6 X 16	1	
2	880515	PLATE	1	
3	884332	TOP COVER	1	
4	889481	HEX. SOCKET HD. BOLT (W/FLANGE) M6 X 35	4	
5	889134	EXHAUST COVER	1	
6	889135	GASKET (A)	1	
7	881945	EXHAUST VALVE RUBBER	1	
8	881944	HEAD VALVE SPRING	1	
9	889476	CYLINDER O-RING (B)	1	
10	889477	HEAD VALVE	1	
11	889478	CYLINDER O-RING	1	
12	881943	HEAD VALVE RUBBER	1	
13	889132	CYLINDER PLATE	1	
14	889133	O-RING	1	
15	878376	O-RING (I.D 59.6/W2.4)	1	
16	881972	O-RING	1	
17	889131	CYLINDER	1	
18	889479	O-RING (P-48)	1	
19	889480	PISTON ASS'Y	1	INCLUD.18
20	889496	WARNING LABEL	1	
21	889497	LABEL (D)	1	
22	888798	CHANGE ROD (D)	1	
23	889130	BODY ASS'Y	1	INCLUD.39
24	889499	NAME PLATE FOR USA	1	
25	883670	PISTON BUMPER (A)	1	
26	889148	PISTON BUMPER (B)	1	
27	889150	O-RING	1	
28	882974	NYLOCK BOLT (W/FLANGE) M6 X 12	1	
29	889154	PUSHING LEVER COVER	1	
30	949870	ROLL PIN D4 X 22 (10 PCS.)	1	
31	887899	PUSHING LEVER SPRING	1	
32	889153	PUSHING LEVER (B)	1	
33	326799	ADJUSTER	1	
34	886281	ADJUSTER SPRING	2	
35	959148	STEEL BALL D3.175 (10 PCS.)	2	
36	889152	PUSHING LEVER (A)	1	
37	886282	WASHER	1	
38	888792	HEX. SOCKET HD. BOLT M6 X 12	1	
39		GRIP RUBBER	1	SUPPLIED WITH ITEM NO.601,602
40	884342	GASKET (B)	1	
41	889136	CAP	1	
42	949821	HEX. SOCKET HD. BOLT M5 X 16 (10 PCS.)	3	
43	887863	AIR PLUG NPT 3/8	1	
44	371077	ROLL PIN D3 X 22	1	
45	371080	ROLL PIN D3 X 32	2	
46	949214	MACHINE SCREW M4 X 6 (10 PCS.)	1	
47	959155	STEEL BALL D3.97 (10 PCS.)	1	
48	887673	SPRING	1	
49	887458	ROLL PIN D3 X 10 (10 PCS.)	1	
50	887674	CHANGE KNOB (D)	1	

PARTS

NR 90AC5

ITEM NO.	CODE NO.	DESCRIPTION	NO. USED	REMARKS
51	887756	TRIGGER (D) ASS'Y	1	INCLUD.52-54
52	887755	TRIGGER ARM (D)	1	
53	881951	ROLL PIN D2.5 X 16	1	
54	887695	TRIGGER (D)	1	
55	887682	TRIGGER ARM SPRING	1	
56	889498	BRAND LABEL	1	
57	889137	PUSHING LEVER GUIDE (D)	1	
58	887675	ROLL PIN D3 X 35	1	
59	889149	NOSE	1	
60	889151	HEX. SOCKET HD. BOLT M10 X 25	4	
61	877763	FEED PISTON O-RING (I.D. 14)	1	
62	884963	VALVE BUSHING (B)	1	
63	873570	O-RING (P-18)	1	
64	676531	O-RING (P-7)	2	
65	884964	VALVE PISTON	1	
66	872654	O-RING (1AP-10)	1	
67	887178	PLUNGER SPRING	1	
68	878888	O-RING (I.D. 1.8)	2	
69	887900	PLUNGER	1	
70	884962	VALVE BUSHING (A)	1	
71	888796	NYLON NUT M6	3	
72	883499	SLEEVE	1	
73	889140	MAGAZINE COVER	1	
74	889139	NAIL RAIL	1	
75	889146	HANDLE ARM	1	
76	881969	NYLOCK BOLT (W/FLANGE) M6 X 20	2	
77	877371	NYLON NUT M5	2	
78	889147	CONNECTOR	1	
79	883503	RIBBON SPRING	1	
80	949688	ROLL PIN D4 X 40 (10 PCS.)	1	
81	889142	NAIL FEEDER (A)	1	
82	889144	SPRING	1	
83	889333	PUSHING LEVER STOPPER (A)	1	
84	887458	ROLL PIN D3 X 10 (10 PCS.)	2	
85	889334	ROLL PIN D2 X 10	1	
86	889143	NAIL FEEDER (B)	1	
87	943364	NEEDLE ROLLER D4 X 20	1	
88	889138	MAGAZINE	1	
89	889332	NAIL PLATE (A)	1	
90	886347	HEX. SOCKET HD. BOLT (W/FLANGE) M5 X 10	2	
91	877402	WASHER	2	
92	888803	HEX. SOCKET HD. BOLT (W/FLANGE) M6 X 16	2	
93	889141	NAIL STOPPER	1	
94	984443	HEX. SOCKET HD. BOLT (W/FLANGE) M6 X 12	1	

