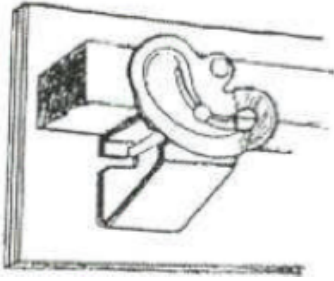
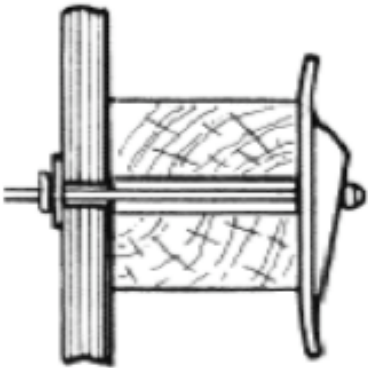


# Snap Tie Forming Systems

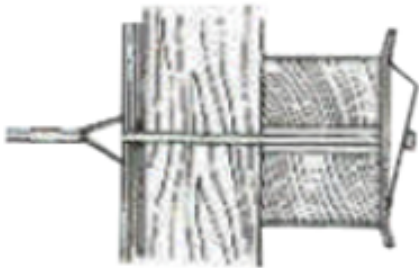
The below systems are options you can use when forming with snap-ties.



**(1) Single Waler System Using a Jahn Bracket**



**(2) 3/4" Plywood, Double 2 x 4 Waler using Omni Wedge (Hair Pin)**



**(3) 3/4" Plywood, Double 2 x 4 Waler with strong back using Omni Wedge (Hair Pin)**



**(4) & (5) Plywood (3/4" or 1-1/8") Only, Omni Wedge Only**